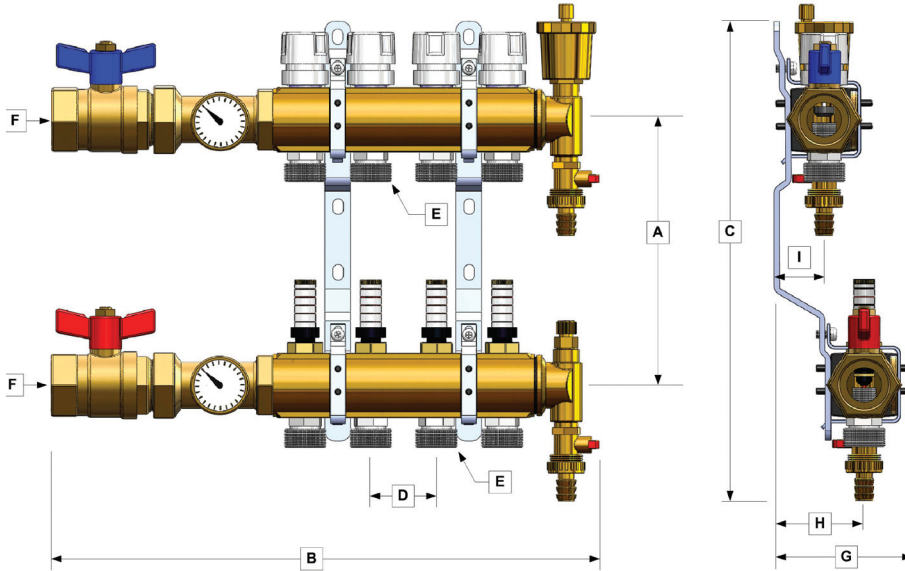


## LARGE DIMENSION 1.5" BRASS MANIFOLDS



Mr PEX® 1.5" Brass Manifolds are made from high-quality extruded brass and offered in 2–10 loop pre-assembled configurations (no 7 or 9 loop version). The supply side features balancing manifold with adjustable flow-meters for flows up to 1.6 gpm per loop. The return side features a valved manifold with on/off valves. The manual plastic cap on the return valve can be removed to accommodate a valve actuator. The return balancing valve disc is designed to enable exact adjustments of small flows while still being able to handle large flows with minimal resistance. The combined branch C, value is 1.64 gpm and the manifold body accommodates flows up to 22 gpm.

All manifolds come mounted on brackets. Each inlet of the manifold has a G 1.25" thread (BSP straight metric thread) to accommodate the isolation ball valve. The isolation ball valve threads into the manifold body and features a 1.25" NPT female thread to accommodate any standard connections. The branches have Eurokonus (EK25) connections, and all Mr PEX® EK25 compression fitting assemblies (PEX to EK25 or PEX-AL-PEX to EK25) can be used to connect tubing to the manifold.

**NOTE:** When zoning with 5120700 actuator on this manifold, use light grey adapter VA-10.

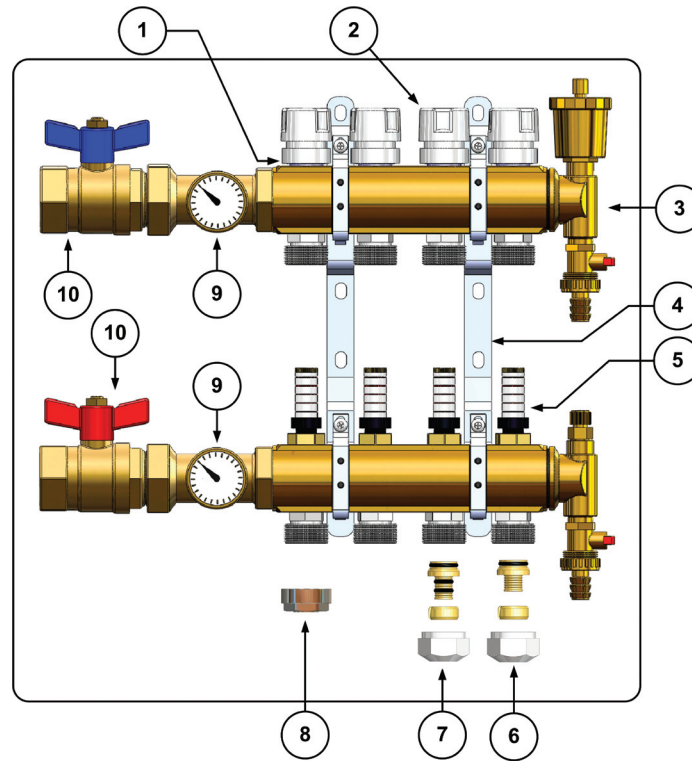
### ORDERING DATA

**1.5" Brass Manifold, Valve & Balancing Flow Meter, Fully Assembled** ▶ Sizes per chart above

Part#	Type	A	B	C	D	E	F	G	H	I
3310200	2 Branches	8.25"	12.4"	13"	2"	EK 25	1.25" BSP	4.5"	2.87"	1.68"
3310300	3 Branches	8.25"	14.4"	13"	2"	EK 25	1.25" BSP	4.5"	2.87"	1.68"
3310400	4 Branches	8.25"	16.4"	13"	2"	EK 25	1.25" BSP	4.5"	2.87"	1.68"
3310500	5 Branches	8.25"	18.4"	13"	2"	EK 25	1.25" BSP	4.5"	2.87"	1.68"
3310600	6 Branches	8.25"	20.4"	13"	2"	EK 25	1.25" BSP	4.5"	2.87"	1.68"
3310800	8 Branches	8.25"	24.4"	13"	2"	EK 25	1.25" BSP	4.5"	2.87"	1.68"
3311000	10 Branches	8.25"	28.4"	13"	2"	EK 25	1.25" BSP	4.5"	2.87"	1.68"

# Product Data Sheet

## LARGE DIMENSION 1.5" BRASS MANIFOLDS



### PARTS FOR 1.5" BRASS MANIFOLDS

*NOTE: "BSP" is a metric straight thread also referred to as a "G" thread. Use only Mr PEX® matching components.*

#	Part#	Description	Type
1	3710174	On/Off Valve	for 1.25" & 1.5" Brass Manifold
2	3710173	Valve Cap, spare part	for 1.25" & 1.5" Brass Manifold
3	3730120	End Cap with Vent and Drain, set of 2	for 1.5" Brass Manifold
4	3730171	Manifold Bracket, spare part	for 1.5" Brass Manifold
5	3710172	Flow Meter, spare part	for 1.25" & 1.5" Brass Manifold
6	**	PEX Fitting Assembly	EK 25
7	**	PEX-AL-PEX Fitting Assembly	EK 25
8	3610004	Loop End Cap	EK 25
9	3710175	Thermometer, spare part for #135LB	
10	3730135	Union Ball Valve w/ Thermometer, set of 2	1.25" NPT female x 1.25" BSP