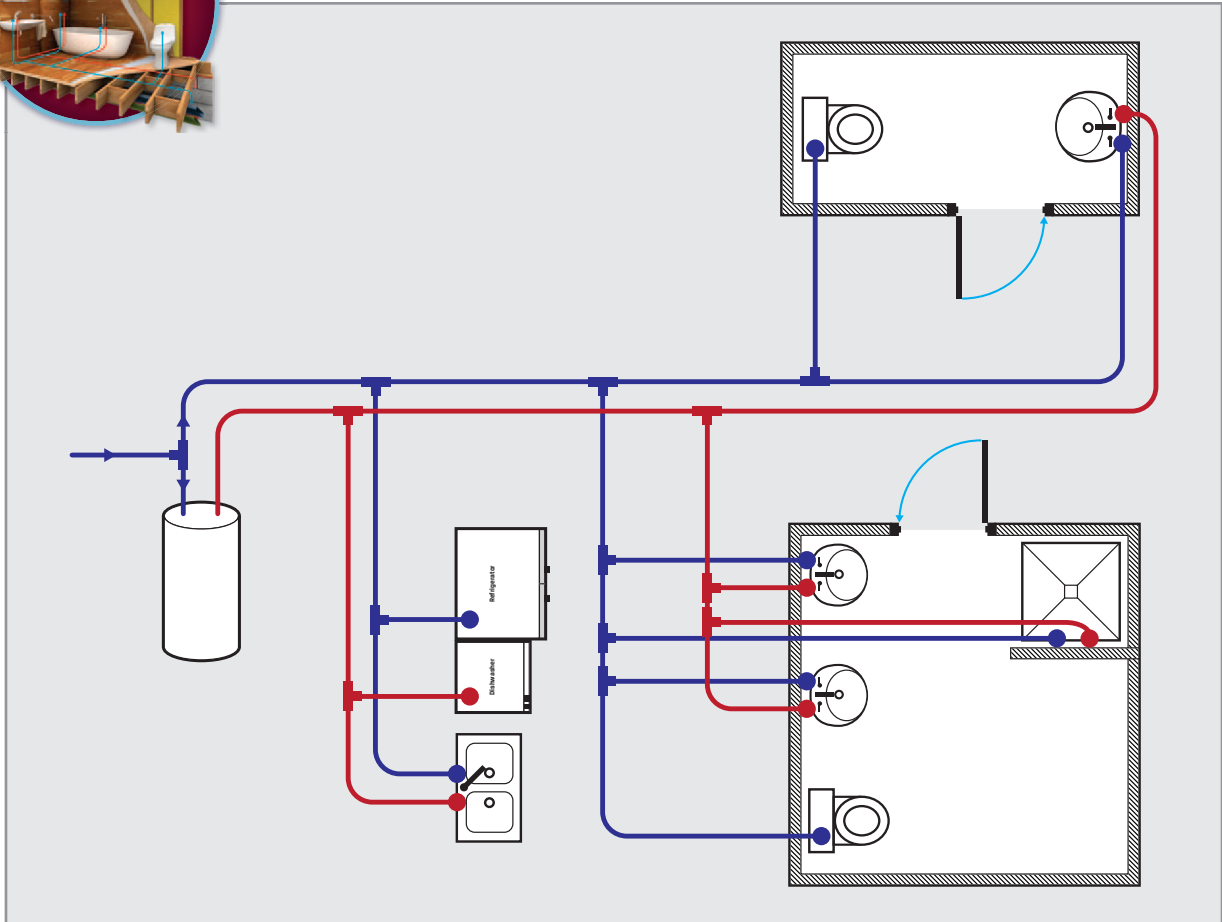


# CHOOSING YOUR DESIGN & LAYOUT

## BRANCH AND TEE METHOD



This system incorporates one set of main hot and cold lines with all the fixtures branching off of the main lines with flow through tee's until the last fixture is reduced off the end of the line.



**Pros:** Saves on tubing. No need to carry different multiport tee's or manifolds to job.

**Cons:** Pressures will vary downstream during the use of upstream fixtures. Hot water will take longer to get to furthest point.