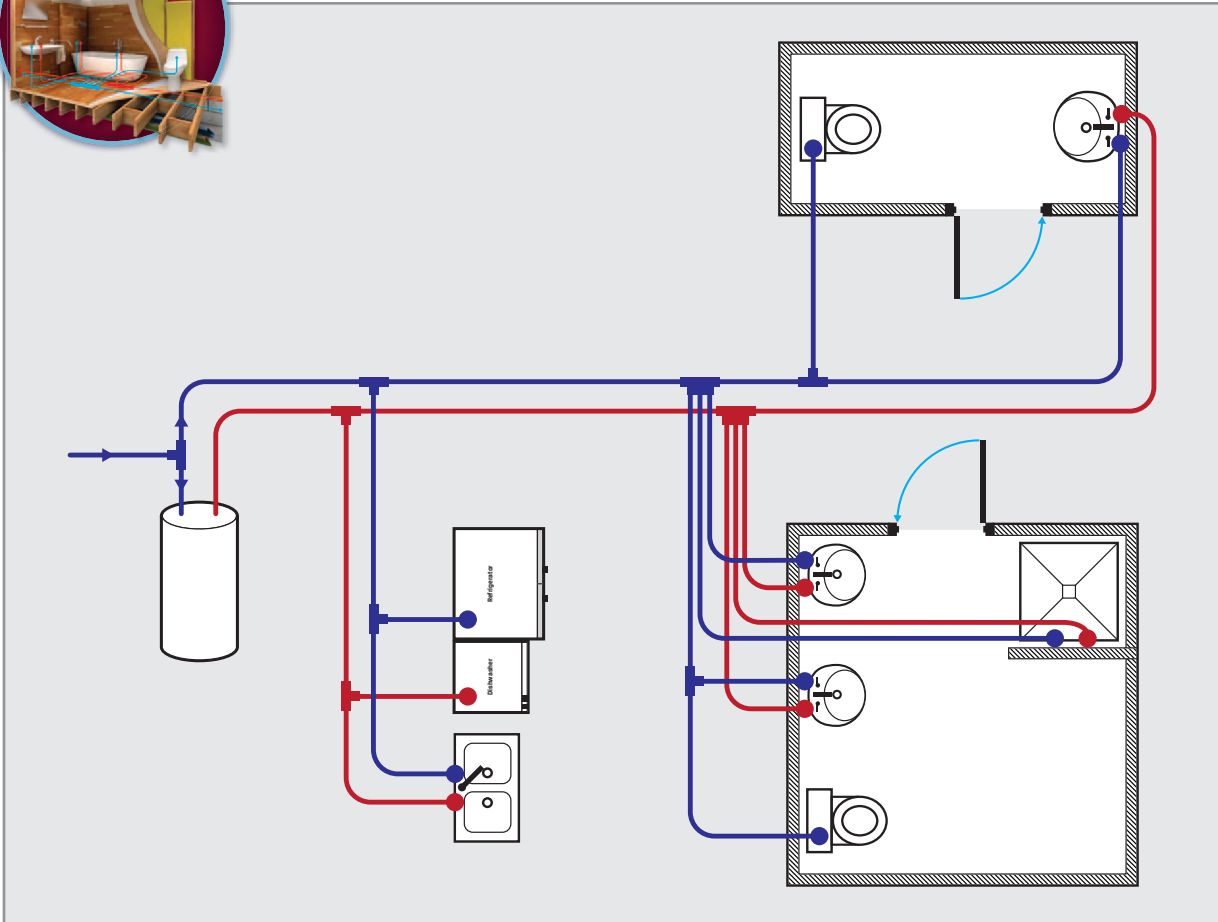


COMBINATION METHOD



This installation routes a set of main lines using multiport tee's serving a cluster of fixtures, such as a bathroom, kitchen, or laundry room.



Pros: Faster installation time, less fittings and tubing. Less pressure fluctuation.

Cons: Hot water will take longer to get to furthest point.