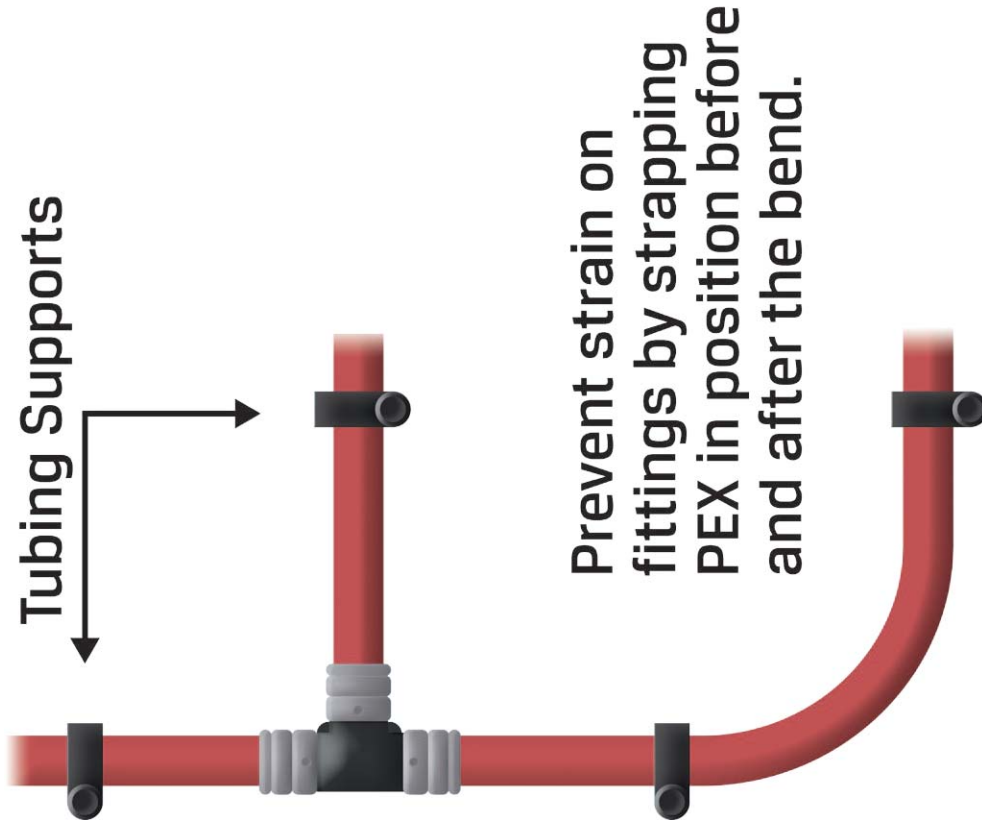


INSTALLATION DIAGRAMS



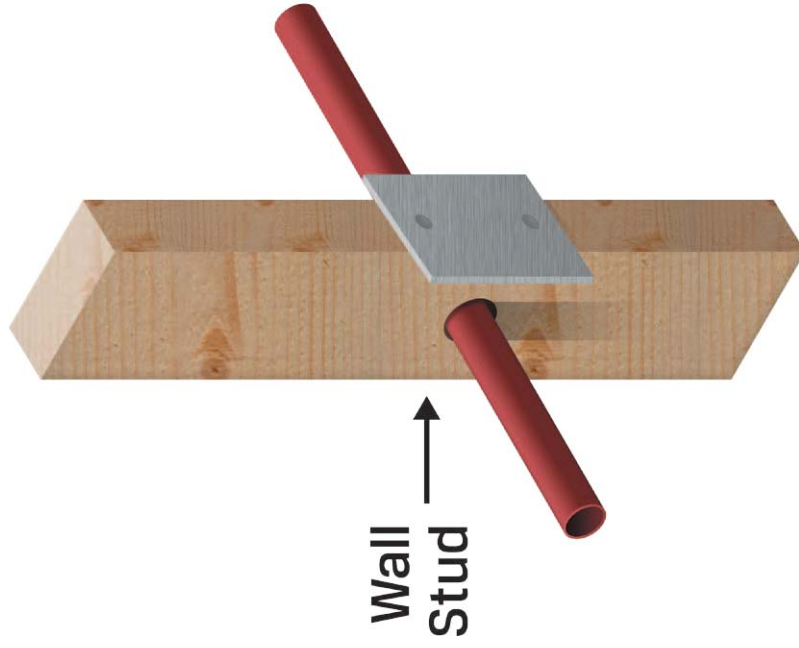
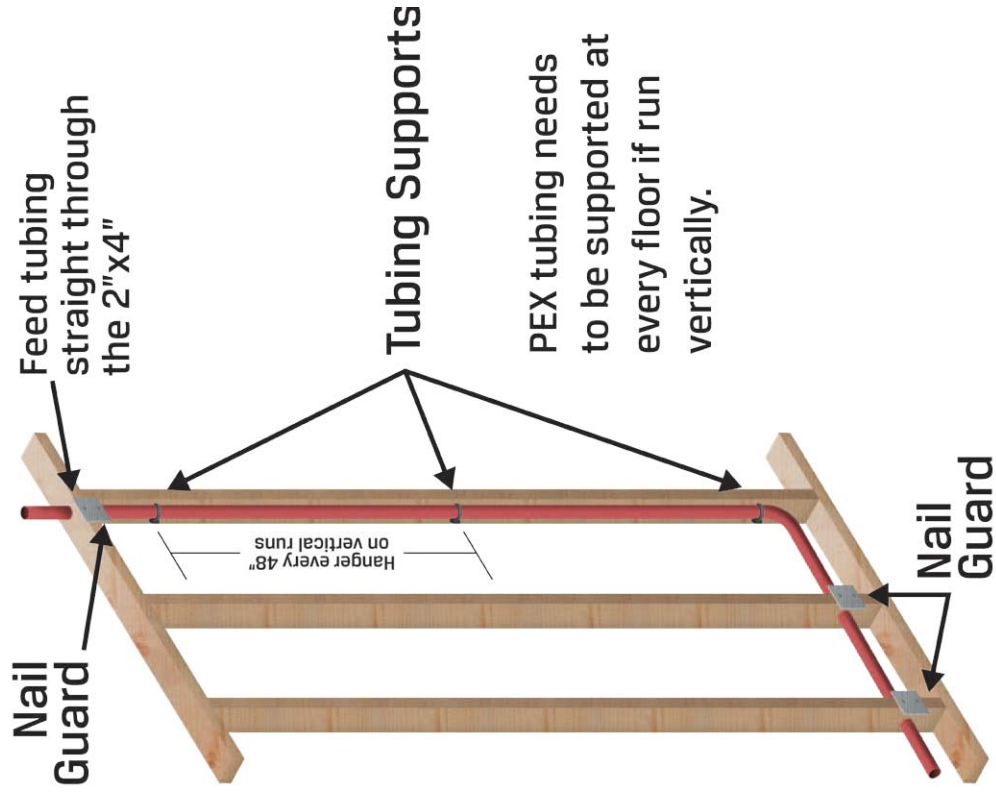
**Metal Drop
Ear Bend
Support**

Use the metal
drop ear bend
support 714.0501.

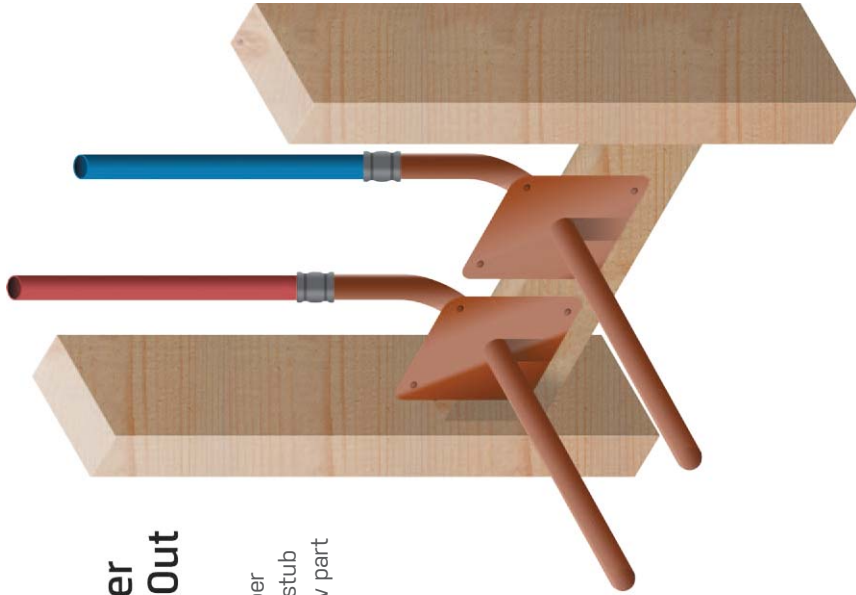
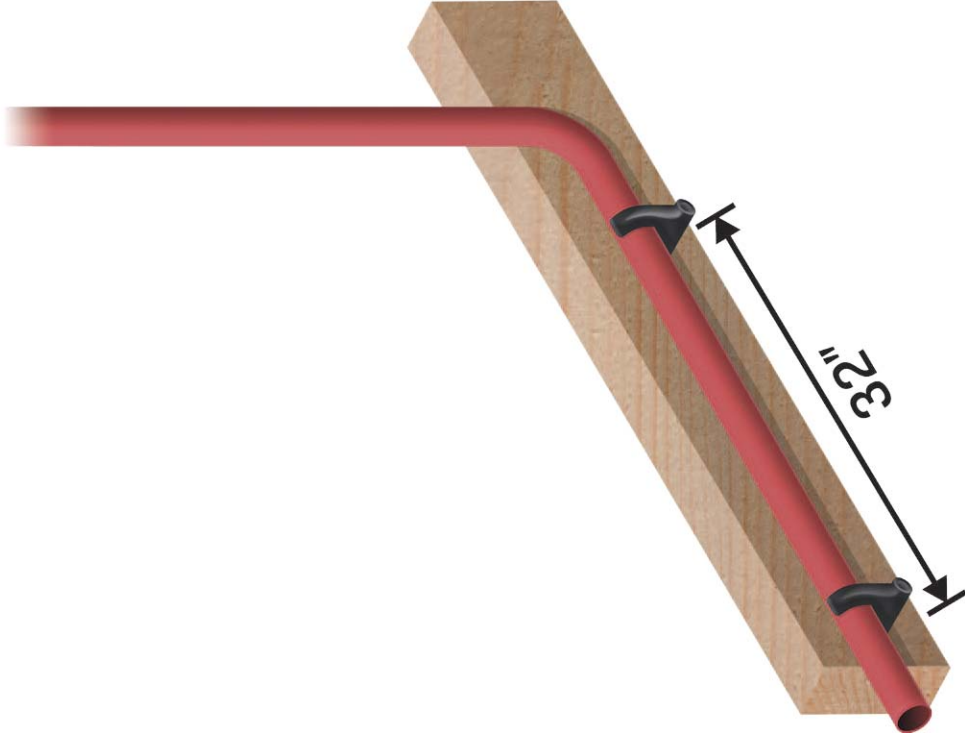


Tubing Supports

**Prevent strain on
fittings by strapping
PEX in position before
and after the bend.**

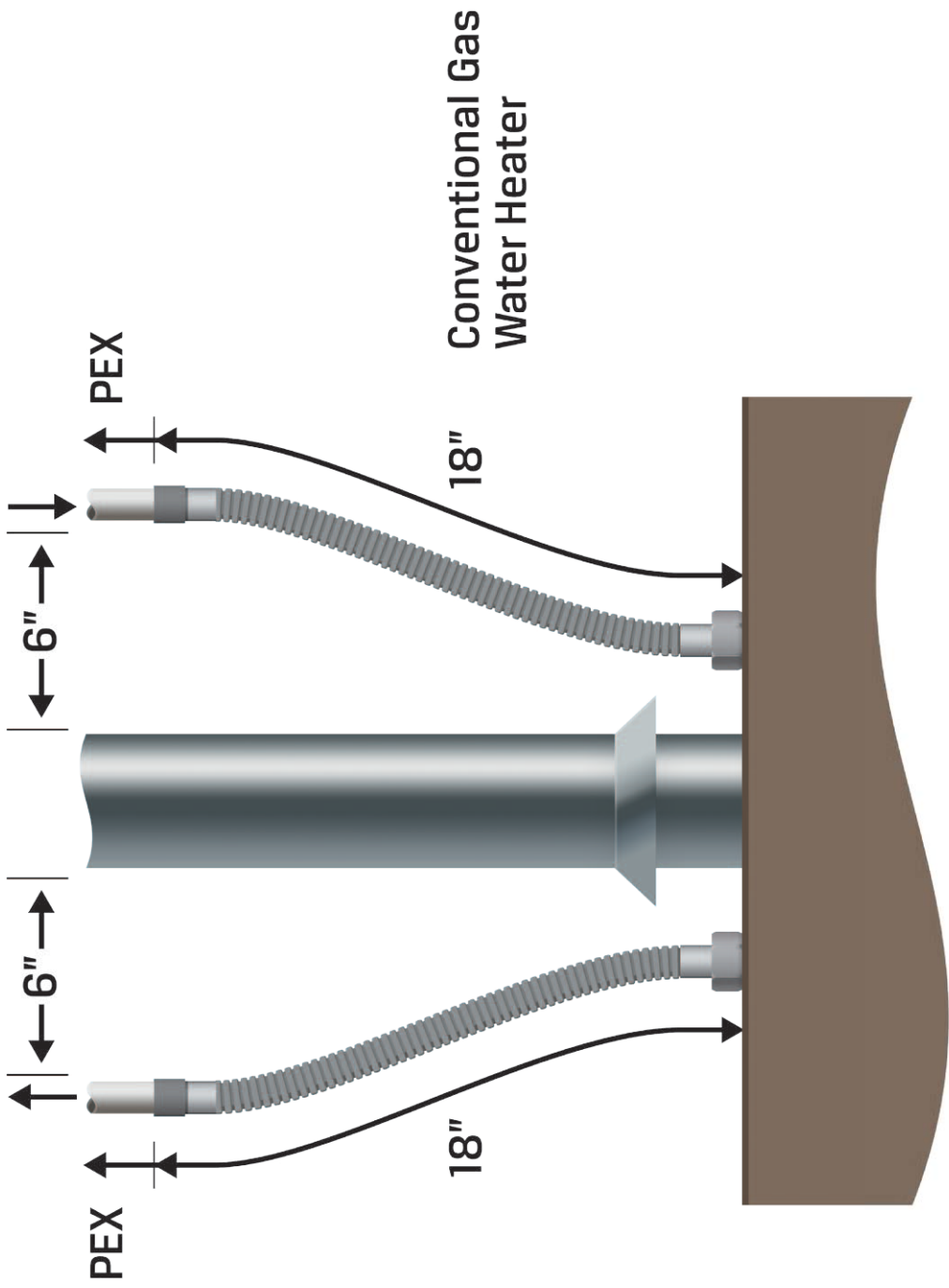


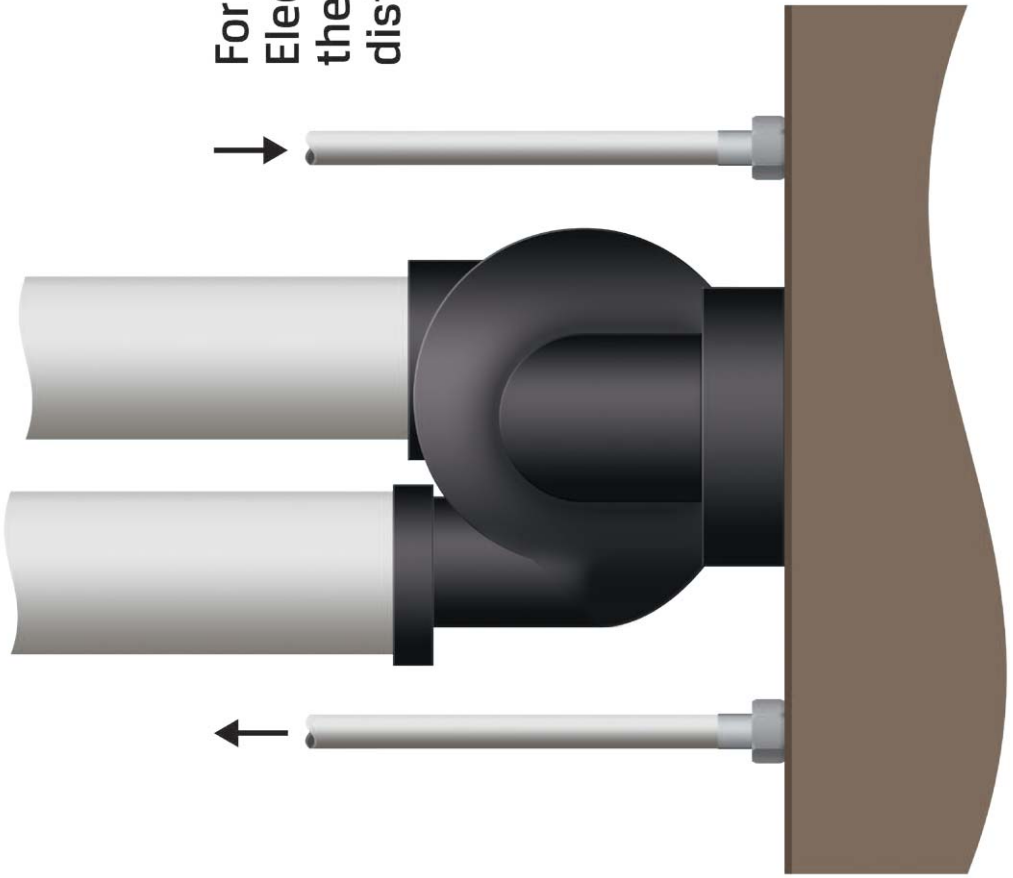
Steel plate must be placed in front of PEX tubing if it is within 2" of surface.



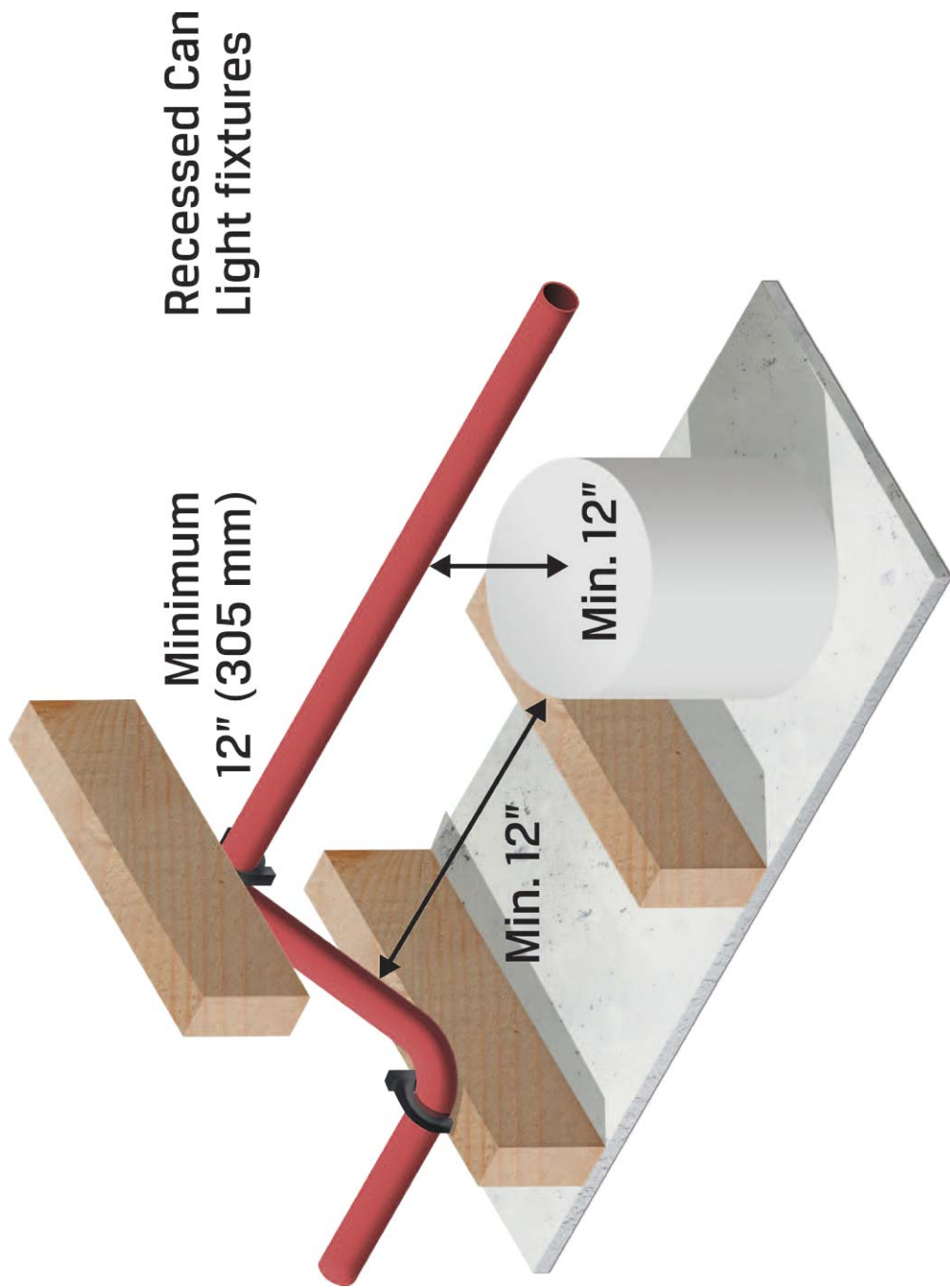
Copper Stub Out

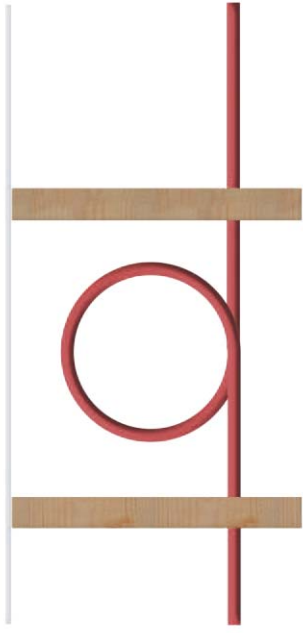
Use copper drop ear stub out elbow part 4109003



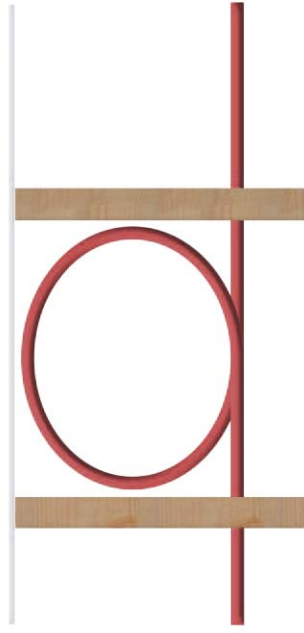


For Power Vented or
Electric Water Heaters
there is no minimum
distance requirement.

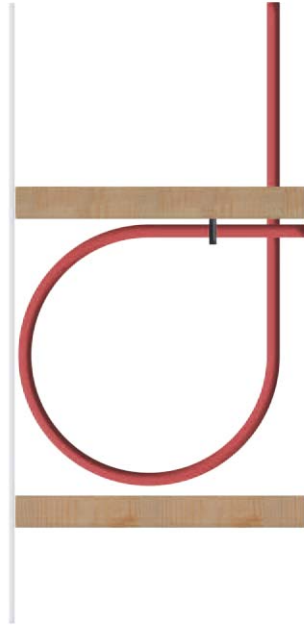
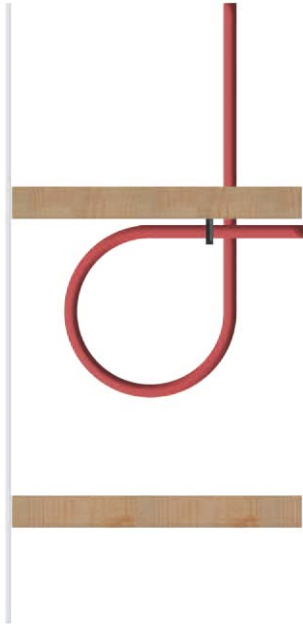




Correct



Wrong



PEX Expansion Loop