

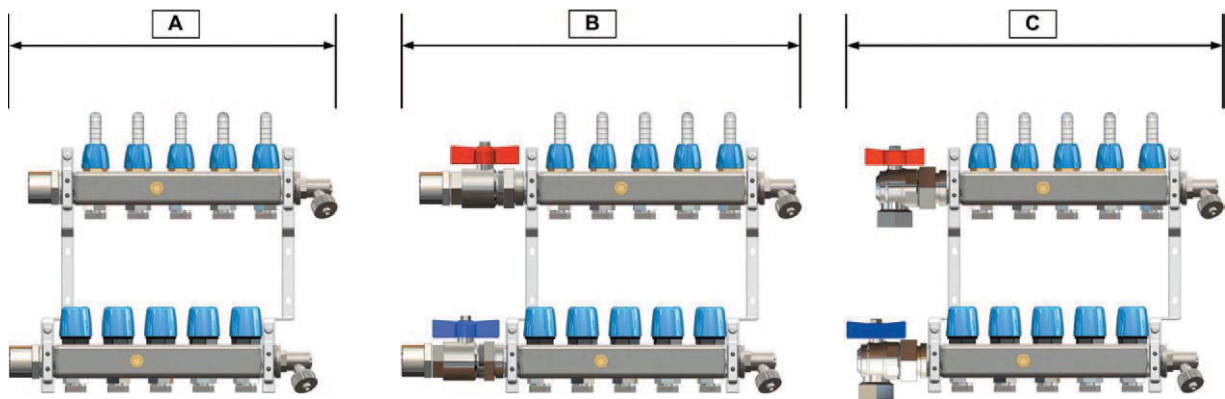
MANIFOLD INSTALLATION

Once a location for the manifold is determined, you can surface mount the manifold or recess it into the wall. Always consider enclosing the manifold in a manifold box or frame out an enclosure with an access door. Make sure the manifold area is big enough to accommodate the manifold and any valves or zone boxes. See dimension tables below to determine the total width of your manifold.

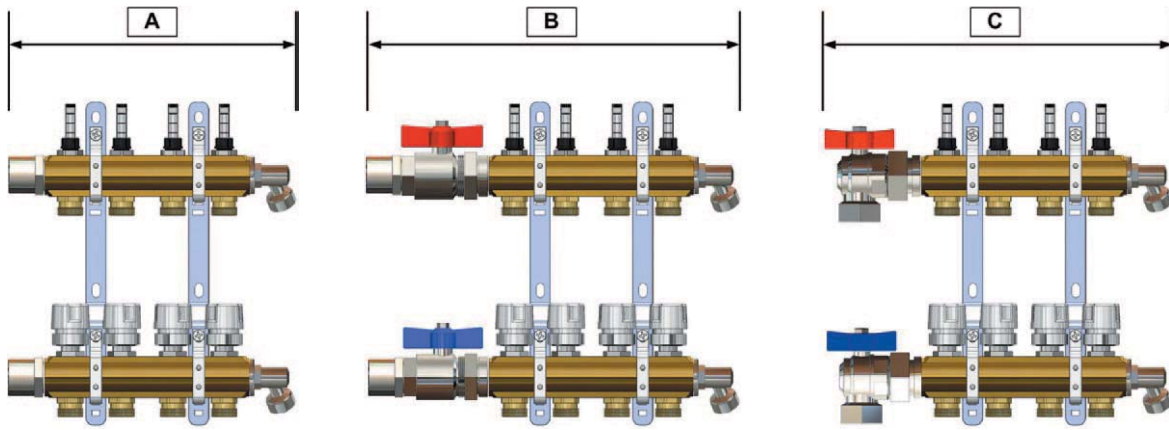
The manifold can be mounted in any direction without impacting the performance. However, if the manifold is mounted upside down, the flowmeters will not show 100% accurate flow due to the fact that the flowmeter assembly is forced down a little by gravity, thus indicating a slightly larger flow. Instead of mounting the manifold upside down to feed loops up, consider mounting the manifold sideways with the supply and return mains entering from the bottom, that way you can easily purge the manifold body using the end cap drain valve. The loops will then exit the manifold horizontally, then making a 90° turn up to feed the floor above.

Consider how you will feed the supply and return mains to the manifold location. The manifold can be fed from left or right, top or bottom. It is sometimes helpful to cross feed the manifold by feeding the supply from one side and return from the other. That way you have more room and the flow of the water will also flow in a counter-flow manner. It is a good idea to have the manifold already prepared and ready for mounting prior to arriving at the jobsite. Mount the manifold on brackets and/or on a board, or even in a manifold cabinet. Attach pressure test gauges and plugs as necessary.

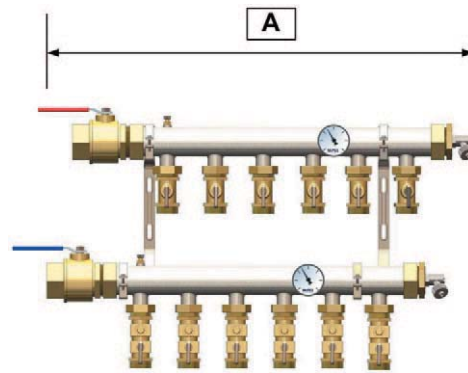
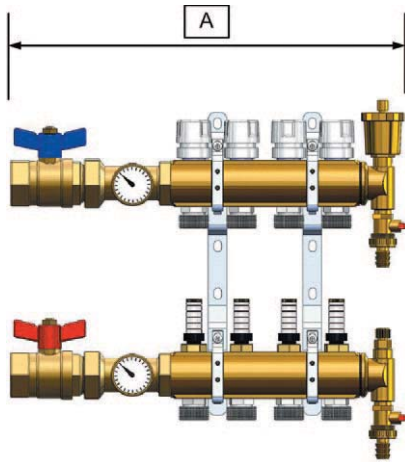
See illustration below for frame-out cavity dimensions, along with MrPEX® Manifold Cabinets, part numbers #6210707 and #6210709.



LOOPS	WIDTH INCLUDING		
	ADAPTER ONLY "A"	STRAIGHT VALVE & ADAPTER "B"	ANGLE VALVE & ADAPTER "C"
2	9"	12.5"	11.25"
3	11"	14.5"	13.25"
4	13"	16.5"	15.25"
5	15"	18.5"	17.25"
6	17"	20.5"	19.25"
7	19"	22.5"	21.25"
8	21"	24.5"	23.25"
9	23"	26.5"	25.25"
10	25"	28.5"	27.25"
11	27"	30.5"	29.25"
12	29"	32.5"	31.25"

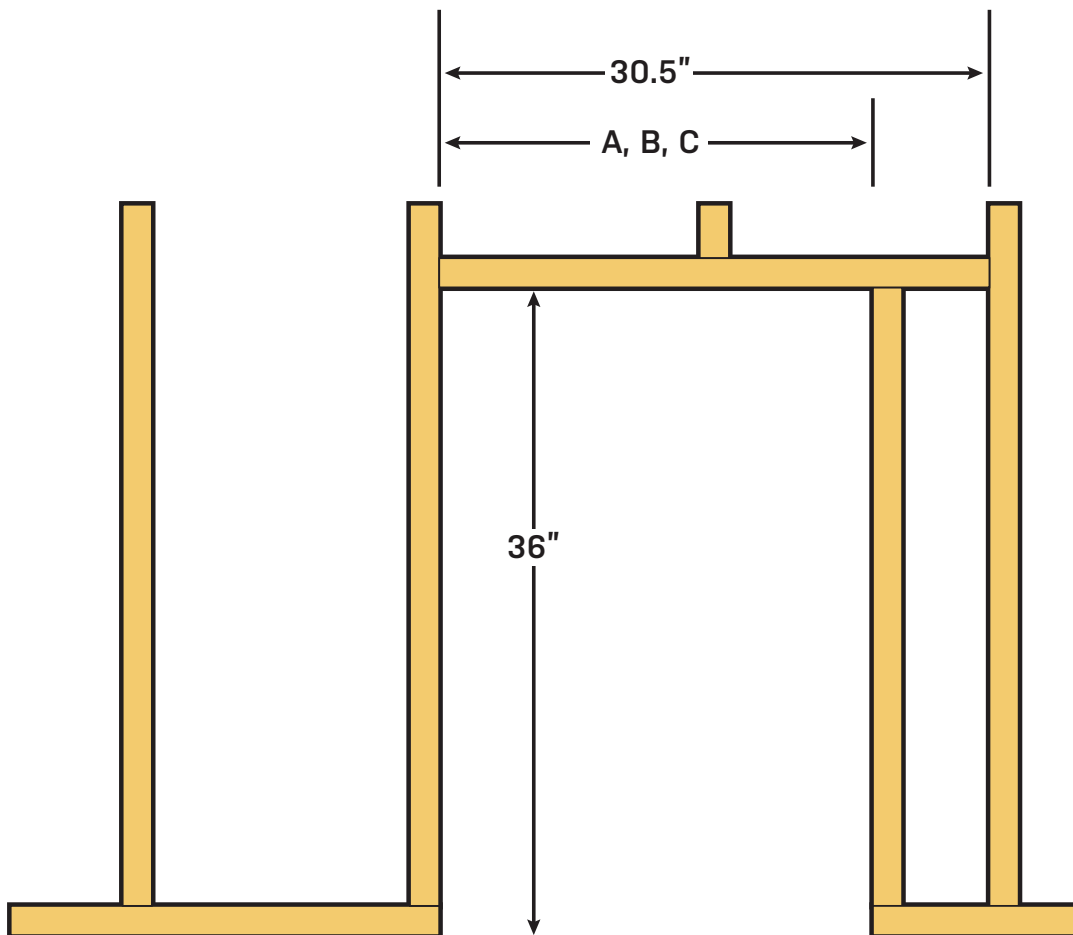


LOOPS	WIDTH INCLUDING		
	ADAPTER ONLY "A"	STRAIGHT VALVE & ADAPTER "B"	ANGLE VALVE & ADAPTER "C"
2	7.25"	10.75"	9.5"
3	9.25"	12.75"	11.5"
4	11.25"	14.75"	13.5"
5	13.25"	16.75"	15.5"
6	15.25"	18.75"	17.5"
7	17.25"	20.75"	19.5"
8	19.25"	22.75"	21.5"
9	21.25"	24.75"	23.5"
10	23.25"	26.75"	25.5"
11	25.25"	28.75"	27.5"
12	27.25"	30.75"	29.5"

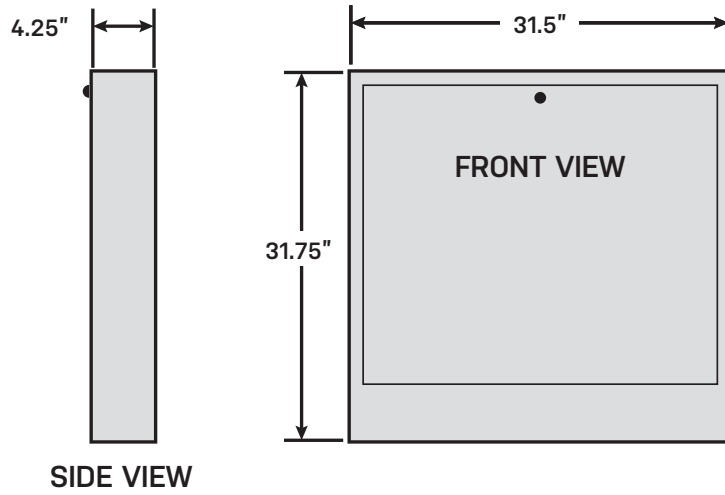
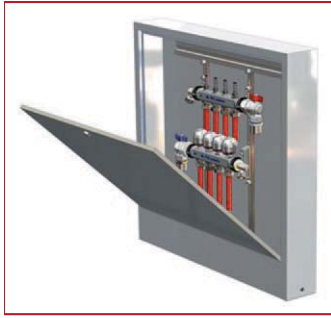


LOOPS	WIDTH INCLUDING
	ADAPTER ONLY "A"
2	12"
3	14"
4	16"
5	18"
6	20"
8	22"
10	24"

LOOPS	WIDTH INCLUDING
	ADAPTER ONLY "A"
3	16.4"
4	19.2"
5	21.9"
6	24.7"
7	27.4"
8	30.2"
9	32.9"
10	35.7"



SURFACE MOUNT, PART #6210707



SURFACE MOUNT, PART #6210707

