

MrPEX® 332 MANIFOLD SUBMITTAL



5300 Alpine Drive NW, Suite 210
 Ramsey, MN 55303
 support@mrpexsystems.com

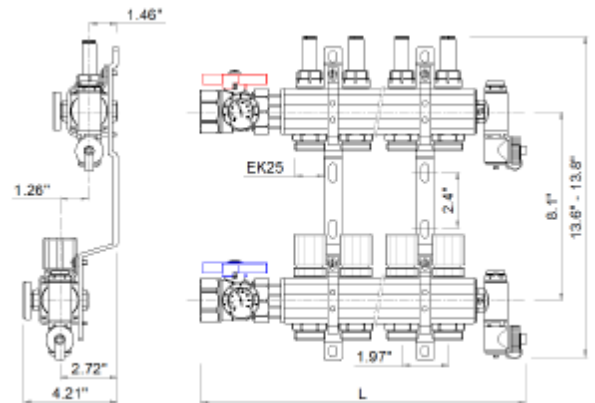
Project Name _____ Date _____
 Submitted By _____ Phone _____
 Project Location _____ MrPEX® Rep. _____
 Engineer _____ Contractor _____
 Approval _____ P.O. Number _____

MrPEX® 1 1/2" BRASS MANIFOLD FOR 5/8" AND 3/4" PEX AND PEX-AL-PEX TUBING, 2-12 LOOPS

MrPEX 1 1/2" Brass Manifold is made from high quality alloy extruded and chrome plated after machining, and is offered in 2 through 12 loop configurations. The manifold comes mounted on brackets and it is equipped with high flow ball valves provided with thermometers, manual air vents and fill/drain valves. The SUPPLY (upper) manifold is fitted with balancing flowmeters with readable range of 0 to 2 GPM that allow flow adjustment of each individual loop. The flow meters have a brass body and the sight glass is made from temperature and impact resistant plastic material, all components are anti-freeze resistant up to a 50% mix. The RETURN (lower) manifold, has manual on/off valves that controls the flow for each individual circuit. The manual knob can be removed to accommodate the MrPEX actuators (part# 5120700 & 5120701). Supply and return mains can be connected from either left or right sides. The manifold comes ready for a left-hand connection. Connection from the right can be done by removing the manifold body from the brackets and flipping them over.



Technical Data	
Manifold Body Material	ASTM B124 C37700 (CW612N EN12168)
Brass Components Material	ASTM B124 C37700 (CW614N and CW617N)
Operating Pressure	87 psi
Maximum pressure (at 70 °F)	145 psi
Maximum continuous working temperature	160° F
Maximum intermittent working temperature	185° F (Maximum 10 Minutes/day)
Maximum differential pressure	14.5 psi
Fluids Allowed	Water/ Up to 50% Propylene glycol
Flow indication scale	0 to 2 GPM (precision ± 10%)
Thermometer scale	32° to 175° F
Supply Balancing Flowmeter (wide open)	Cv 1.39
Return Interception Valve (wide open)	Cv 3.24
Manifold Union	G1-1/4" Female Swivel Nut Flat Seat
Ball valve connection	1-1/4" NPT Female x G1-1/4" Male Flat Seat
Loop connections	G1" Eurocone (EK25)
Fill and Drain valve connections	3/4"GHT
Actuator adapter connection	M30x1.5



Manifold Dimensions

Part #	3310200	3310300	3310400	3310500	3310600	3310700	3310800	3310900	3311000	3311100	3311200
Length L	10.2"	12.2"	14.2"	16.1"	18.1"	20.1"	22.0"	24.0"	26.0"	28.0"	29.9"