

Product Data Sheet

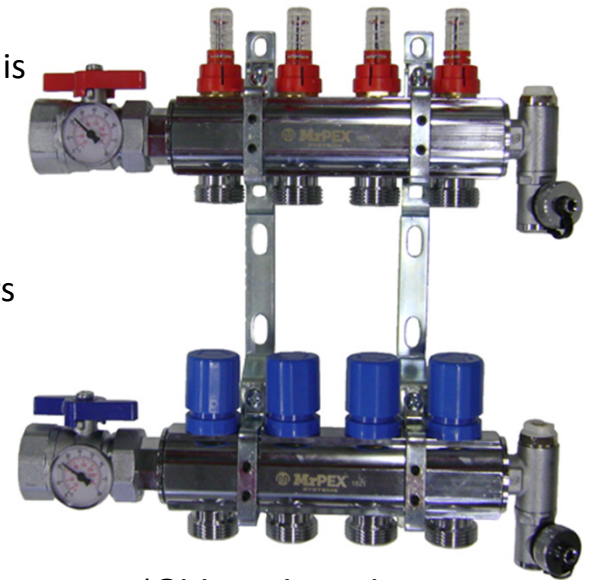


MrPEX® 1 ½" Brass Manifold

MrPEX 1 ½" Brass Manifold is made from high quality alloy extruded and chrome plated after machining, and is offered in 2 through 12 loop configurations. The manifold comes mounted on brackets and is equipped with isolation ball valves with thermometers, and end caps with manual air vent & fill/drain valves.

The SUPPLY manifold is fitted with balancing flowmeters with readable range of 0 to 2 GPM that allow flow adjustment of each individual loop. The flow meters have a brass body and the sight glass is made from temperature and impact resistant plastic material, all components are anti-freeze resistant up to a 50% mix.

The RETURN manifold, has manual on/off valves that controls the flow for each individual circuit. The manual knob can be removed to accommodate the MrPEX actuators (part# 5120700 & 5120701).



*Shipped as shown

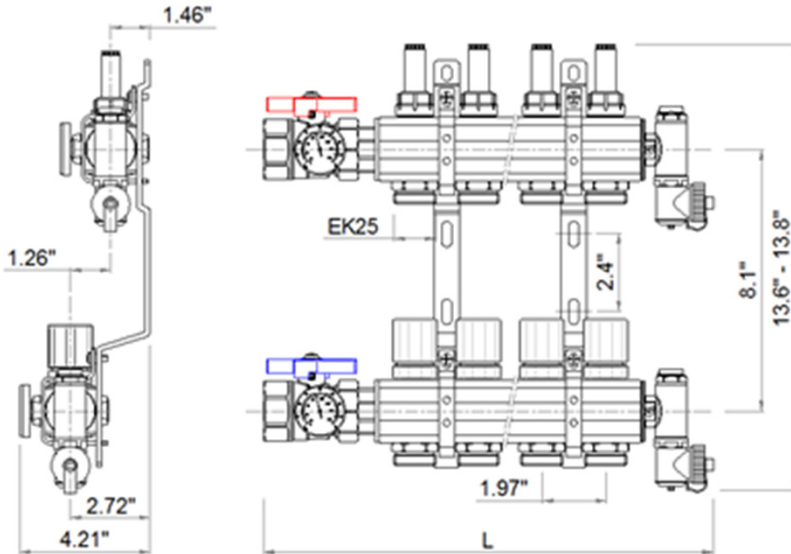
Supply and return mains can be connected from either left or right sides. The manifold comes ready for a left-hand connection. Connection from the right can be done by removing the manifold body from the brackets and flipping them over.

Part#	Description	Type
3320200	1 ½" Brass Manifold w/ on/off Valve & Flowmeter, Fully Assembled	2 Branch
3320300	1 ½" Brass Manifold w/ on/off Valve & Flowmeter, Fully Assembled	3 Branch
3320400	1 ½" Brass Manifold w/ on/off Valve & Flowmeter, Fully Assembled	4 Branch
3320500	1 ½" Brass Manifold w/ on/off Valve & Flowmeter, Fully Assembled	5 Branch
3320600	1 ½" Brass Manifold w/ on/off Valve & Flowmeter, Fully Assembled	6 Branch
3320700	1 ½" Brass Manifold w/ on/off Valve & Flowmeter, Fully Assembled	7 Branch
3320800	1 ½" Brass Manifold w/ on/off Valve & Flowmeter, Fully Assembled	8 Branch
3320900	1 ½" Brass Manifold w/ on/off Valve & Flowmeter, Fully Assembled	9 Branch
3321000	1 ½" Brass Manifold w/ on/off Valve & Flowmeter, Fully Assembled	10 Branch
3321100	1 ½" Brass Manifold w/ on/off Valve & Flowmeter, Fully Assembled	11 Branch
3321200	1 ½" Brass Manifold w/ on/off Valve & Flowmeter, Fully Assembled	12 Branch



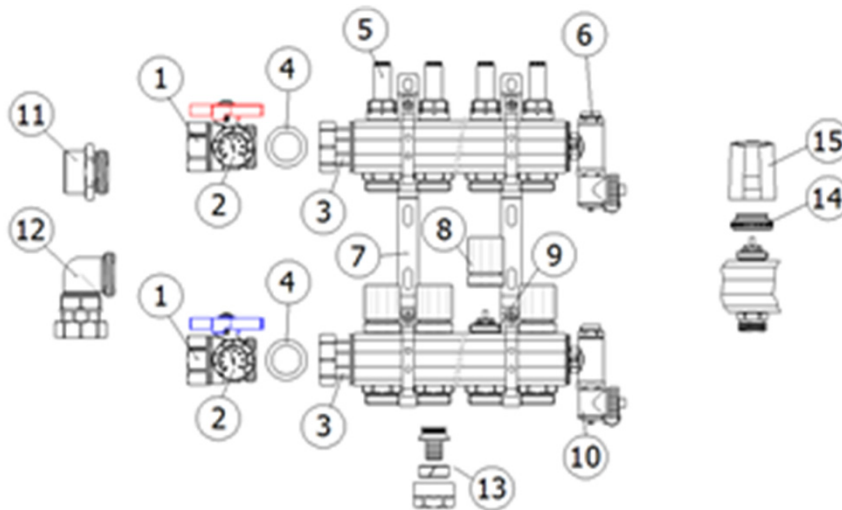
MrPEX Product description

Manifold Dimensions



Part #	Type	Length
3320200	2 Branches	10.2"
3320300	3 Branches	12.2"
3320400	4 Branches	14.2"
3320500	5 Branches	16.2"
3320600	6 Branches	18.1"
3320700	7 Branches	20.1"
3320800	8 Branches	22.0"
3320900	9 Branches	24.0"
3321000	10 Branches	26.0"
3321100	11 Branches	28.0"
3321200	12 Branches	29.9"

Accessories and Spare Parts



Position	Part#	Description	Type	Unit
1	3320018	Ball Valves, Supply and Return Straight, with Thermometer, spare part	1-1/4"NPT x G 1-1/4" Flat Gasket	Set of 2
2	3250001	Thermometer, spare part	32° to 175°	Each
3	3320002	1-1/4" BSP Manifold Connection x G 1-1/4" Union Flat Gasket, spare part		Set of 2
4	3761175	G 1-1/4" Flat Gasket, spare part	EPDM Rubber	Each
5	3741172	Flowmeter Valve, spare part	for 332 & 325 series Manifold	Each
6	3740011	Manual Air Vent spare part		Each
7	3761171	Manifold Bracket, spare part	for 332 series manifold	Set of 2
8	3741173	Plastic Valve Cap, Blue, spare part	for 332 & 325 series Manifold	Each
9	3741174	On/Off Valve, spare part	for 332 & 325 series Manifold	Each
10	3740002	Fill/Drain Valve, spare part	for 332 & 325 series Manifold	Each
11	3250010	G 1-1/4" Flat Gasket x 1" Female NPT Straight Fitting	for 332 & 325 series Manifold	Set of 2
12	3250007	G 1-1/4" Flat Gasket x G 1-1/4" Flat Gasket Union Elbow Kit	for 332 & 325 series Manifold	Set of 2
13	****	Compression Fitting for MrPEX Tubing	for sizes 5/8" - 3/4"	Each
14	5700010	VA 10 Adaptor for Thermal Actuator	M30x1.5	Each
15	5120700	24V AC Thermal Actuator, 4-Wire with End Switch	Quick Connection	Each
15	5120701	24V AC Thermal Actuator, 2-Wire	Quick Connection	Each