

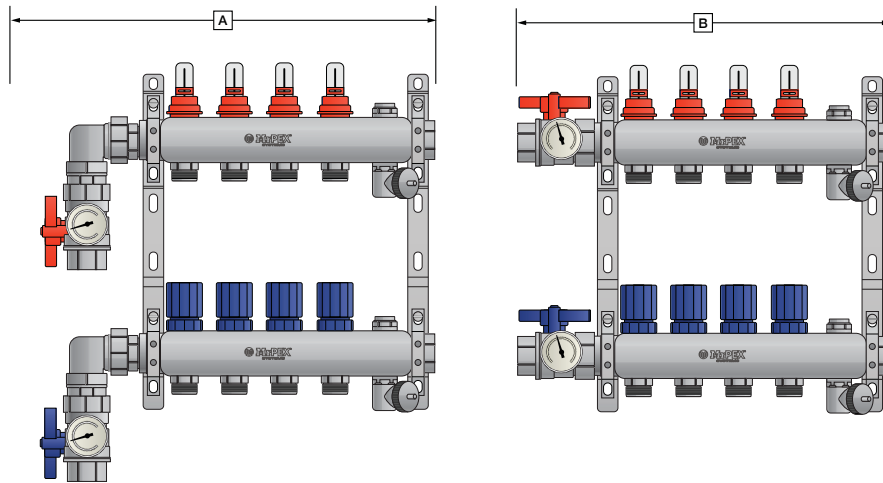
MANIFOLD INSTALLATION

Once a location for the manifold is determined, you can surface mount the manifold or recess it into the wall. Always consider enclosing the manifold in a manifold box or frame out an enclosure with an access door. Make sure the manifold area is big enough to accommodate the manifold and any valves or zone boxes. See dimension tables below to determine the total width of your manifold.

The manifold can be mounted in any direction without impacting the performance. However, if the manifold is mounted upside down, the flowmeters will not show 100% accurate flow due to the fact that the flowmeter assembly is forced down a little by gravity, thus indicating a slightly larger flow. Instead of mounting the manifold upside down to feed loops up, consider mounting the manifold sideways with the supply and return mains entering from the bottom, that way you can easily purge the manifold body using the end cap drain valve. The loops will then exit the manifold horizontally, then making a 90° turn up to feed the floor above.

Consider how you will feed the supply and return mains to the manifold location. The manifold can be fed from left or right, top or bottom. It is sometimes helpful to cross feed the manifold by feeding the supply from one side and return from the other. That way you have more room and the flow of the water will also flow in a counter-flow manner. It is a good idea to have the manifold already prepared and ready for mounting prior to arriving at the jobsite. Mount the manifold on brackets and/or on a board, or even in a manifold cabinet. Attach pressure test gauges and plugs as necessary.

See illustration below for frame-out cavity dimensions, along with MrPEX® Manifold Cabinets on page 28.



PART#	LOOPS	WIDTH INCLUDING	
		WITH ELBOW KIT	STRAIGHT VALVE & ADAPTER "B"
3250300	2	10.1"	10.6"
3250400	3	12.1"	12.6"
3250500	4	14.1"	14.6"
3250600	5	16.0"	16.5"
3250700	6	18.0"	18.5"
3250800	7	19.9"	20.4"
3250900	8	21.9"	22.4"
3251000	9	23.9"	24.4"
3251100	10	25.8"	26.3"
3251200	11	27.8"	28.3"
3251300	12	29.8"	30.3"

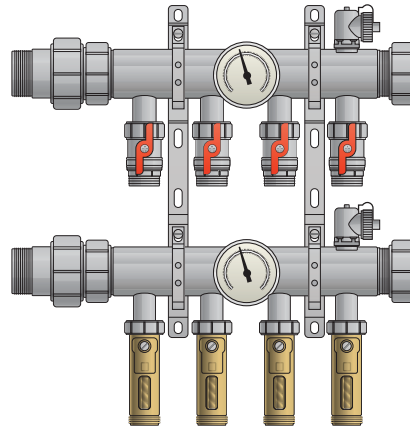
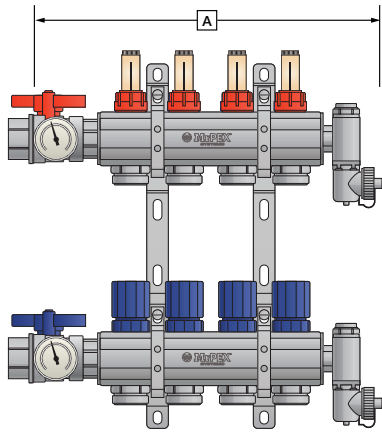


A



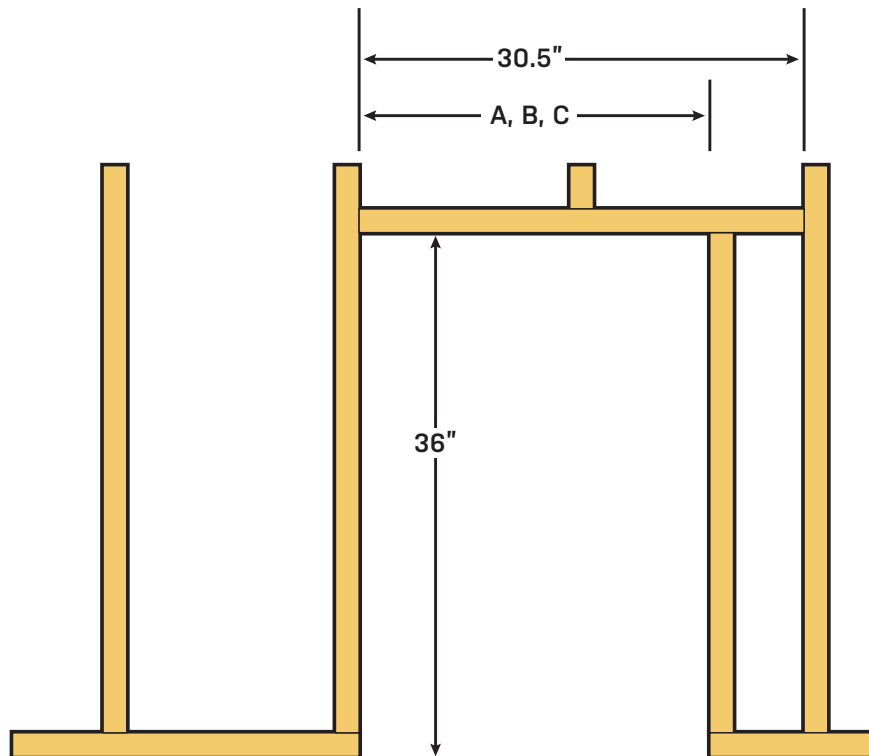
B

PART#	TYPE	A	B
3810200	2 Branches	13"	10.75"
3810300	3 Branches	15"	12.75"
3810400	4 Branches	17"	14.75"
3810500	5 Branches	19"	16.75"
3810600	6 Branches	21"	18.75"
3810700	7 Branches	23"	20.75"
3810800	8 Branches	25"	22.75"
3810900	9 Branches	27"	24.75"
3811000	10 Branches	29"	26.75"
3811100	11 Branches	31"	28.75"
3811200	12 Branches	33"	30.75"



PART#	LOOPS	WIDTH INCLUDING ADAPTER ONLY "A"
3320200	2	10.2"
3320300	3	12.2"
3320400	4	14.2"
3320500	5	16.2"
3320600	6	18.1"
3320700	7	20.1"
3320800	8	22.0"
3320900	9	24.0"
3321000	10	26.0"
3321100	11	28.0"
3321200	12	29.9"

PART#	LOOPS	WIDTH INCLUDING ADAPTER ONLY "A"
3260300	3	11.8"
3260400	4	14.55"
3260500	5	17.30"
3260600	6	20.05"
3260700	7	22.80"
3260800	8	25.55"
3260900	9	28.30"
3261000	10	31.05"
3261100	11	33.80"
3261200	12	36.55"
3261300	13	39.30"



MANIFOLD CABINETS, UNASSEMBLED

New Style manifold cabinets offer many new features providing fast field assembly time, door latch, durable white paint, knockouts to accommodate supply and return entry points, and adjustable manifold mounting brackets inside. Additionally, recess model has adjustable depth and height to better fit construction.



Surface Mount Manifold Cabinet

PART#	TYPE	UNIT	UNIT
6212421	Manifold Cabinet, Un-assembled, W20.8" , H31.1", D5.1"	Surface	Each
6212431	Manifold Cabinet, Un-assembled, W26.8" , H31.1", D5.1"	Surface	Each
6212451	Manifold Cabinet, Un-assembled, W40.5" , H31.1", D5.1"	Surface	Each

Surface Mount Manifold Cabinet

PART#	1 1/4" STAINLESS NO BALL VALVE	1 1/4" STAINLESS WITH BALL VALVE	COMPOSITE	1 1/2" STAINLESS	1 1/2" BRASS
6212421	Up to 7 Loops	Up to 6 Loops	Up to 6 Loops	Up to 4 Loops	Up to 5 Loops
6212431	Up to 11 Loops	Up to 10 Loops	Up to 10 Loops	Up to 8 Loops	Up to 8 Loops
6212451	Up to 12 Loops	Up to 12 Loops	Up to 12 Loops	Up to 13 Loops	Up to 12 Loops



Recessed Manifold Cabinet

PART#	TYPE	UNIT	UNIT
6213421	Manifold Cabinet, Un-assembled, W20.8" , H27.2"-31.1", D4.3"- 6.3"	Recessed	Each
6213431	Manifold Cabinet, Un-assembled, W26.8" , H27.2"-31.1", D4.3"- 6.3"	Recessed	Each
6213451	Manifold Cabinet, Un-assembled, W40.5" , H27.2"-31.1", D4.3"- 6.3"	Recessed	Each

Recessed Mount Manifold Cabinet

PART#	1 1/4" STAINLESS NO BALL VALVE	1 1/4" STAINLESS WITH BALL VALVE	COMPOSITE	1 1/2" STAINLESS	1 1/2" BRASS
6213421	Up to 7 Loops	Up to 6 Loops	Up to 6 Loops	Up to 4 Loops	Up to 5 Loops
6213431	Up to 11 Loops	Up to 10 Loops	Up to 10 Loops	Up to 8 Loops	Up to 8 Loops
6213451	Up to 12 Loops	Up to 12 Loops	Up to 12 Loops	Up to 13 Loops	Up to 12 Loops