

MrPEX® RECESS MANIFOLD CABINETS SUBMITTAL



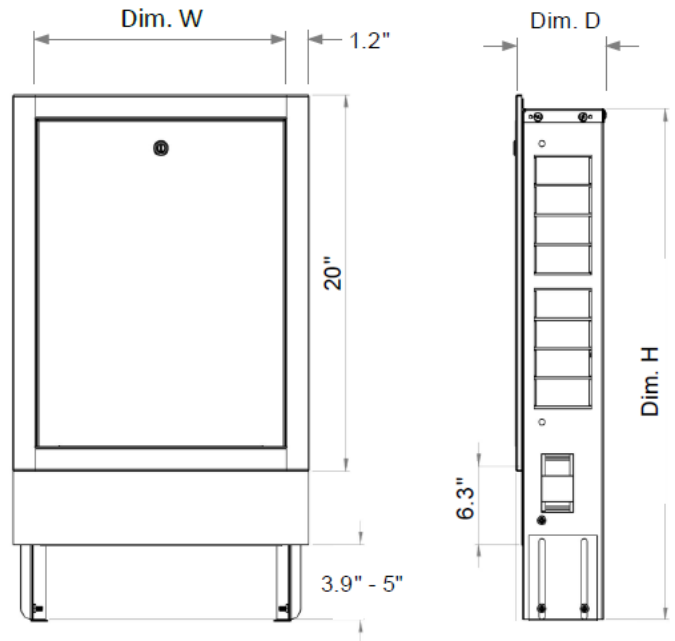
MrPEX
SYSTEMS

14799 Jackal St NW Suite 100
Ramsey, MN 55303
support@mrpexsystems.com

Project Name _____ Date _____
Submitted By _____ Phone _____
Project Location _____ MrPEX® Rep. _____
Engineer _____ Contractor _____
Approval _____ P.O. Number _____

Recess mounted cabinets for MrPEX® manifolds

MrPEX® Recess manifold cabinets allow for a neat and professional installation when the manifold is required to be recessed. The depth and height is adjustable to accommodate different wall constructions. Cabinets have knockouts on the sides and top for easy routing of mains, and are made from hot-dipped 20 Gauge galvanized steel. To save on space and to reduce damage during shipping, cabinets come boxed flat and un-assembled. Also featuring; a durable white finish, door with latch, adjustable manifold mounting brackets, and a removable front section for easy access during installation.



Manifold Cabinets

Part #	Description	Type	Unit
6213421	Manifold Cabinet, Un-assembled, W20.8", H27.2", D4.3"-6.3"	Recess	Each
6213431	Manifold Cabinet, Un-assembled, W26.8", H27.2", D4.3"-6.3"	Recess	Each
6213451	Manifold Cabinet, Un-assembled, W40.5", H27.2", D4.3"-6.3"	Recess	Each

Manifold Cabinet Selection Chart

Part #	1 1/4" Stainless	1 1/4" Stainless	Composite	1 1/2" Stainless	1 1/2" Brass
	No Ball Valve	With Ball Valve		With Ball Valve*	
6213421	Up to 7 loops	Up to 6 Loops	Up to 6 Loops	Up to 4 Loops	Up to 5 Loops
6213431	Up to 11 Loops	Up to 10 Loops	Up to 10 Loops	Up to 8 Loops	Up to 8 Loops
6213451	UP to 12 Loops	Up to 12 Loops	Up to 12 Loops	Up to 10 Loops	Up to 12 Loops

*Ball valve not included