

Smart Relay – Low Voltage

SC824ZB



Cost-effective low voltage switching relay wirelessly controls appliances or other devices from the SALUS Smart Home Application

- Simple user interface with a tactile switch and a multi-color LED
- Volt-free contact can be used for powered switching or as a dry contact
- Two sets of power terminals eliminate messy wiring
- Easy installation using wall mounting enclosure (included)
- Functions as a Zigbee repeater to expand network coverage
- Fall-back states for loss of connections and power restoration

SALUS NORTH AMERICA, INC.

(888) 387-2587

sales@salusinc.com

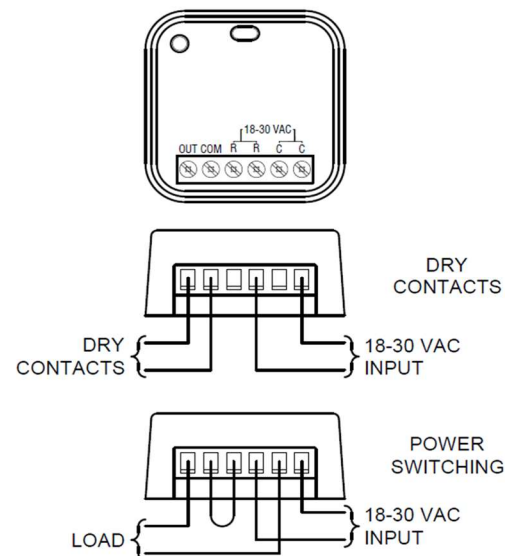
www.salusinc.com

SALUS®

Description and Features

- Compatible with SALUS Smart Home application
- Up to 3 Amp resistive load capacity
- 18-30 VAC input voltage range
- May be configured to operate on a schedule, or based on state changes of other devices on the SALUS Smart Home network
- Configurable modes for recovery after power cycle and loss of communication.

Application Overview



Specifications

Controls/Indicators

Multi-function Button
Multi-color LED (Red/Green/Amber)

Terminals

Power In: (R, R, C, C), 18-30 VAC 50/60 Hz, 30 mA typical
Contacts: Common (COM)/Normally Open (OUT) – 30 VAC,
3 Amp (resistive) maximum
Wire Gauge: 12-24 AWG

Mechanical

Mounting: 2 mounting screws or 3M Foam Tape (included)

Dimensions

Wall Enclosure: 3.31" x 3.31" x 1.10" (84 mm x 84 mm x 28 mm)
Smart Relay: 1.77" x 1.77" x 0.79" (45 mm x 45 mm x 20 mm)

Radio

802.15.4 (2.54 GHz), Zigbee based protocol

Environmental

Operating: 32 to 113°F (0 to 45°C) <90% RH, non-condensing
Storage: -4 to 122°F (-20 to 50°C) <90% RH, non-condensing

Agency Compliance

FCC, Industry Canada
CE: RoHS

Warranty

5 years limited warranty

Compatible Devices

AWRT10RF Wireless Radiant Thermostat
SG888ZB Universal Gateway

Note: Specifications are subject to change without notice

Order Details / Contact

Smart Relay – Low Voltage

Model	Single Unit UPC	Carton GTIN
SC824ZB	817989023117	10817989023114 (40 pcs)

